

Temperature switch iTA630

for monitoring temperatures in housings
or fluid media

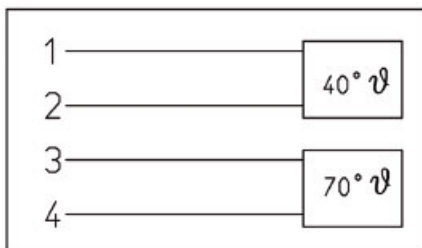
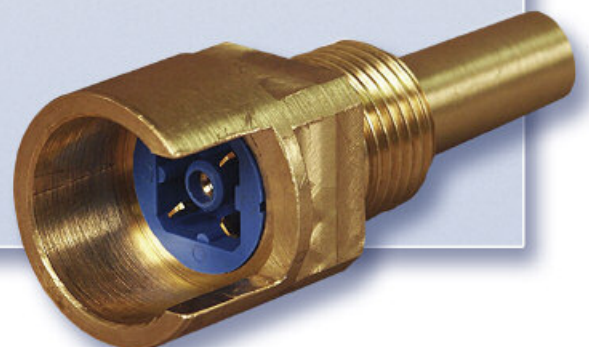
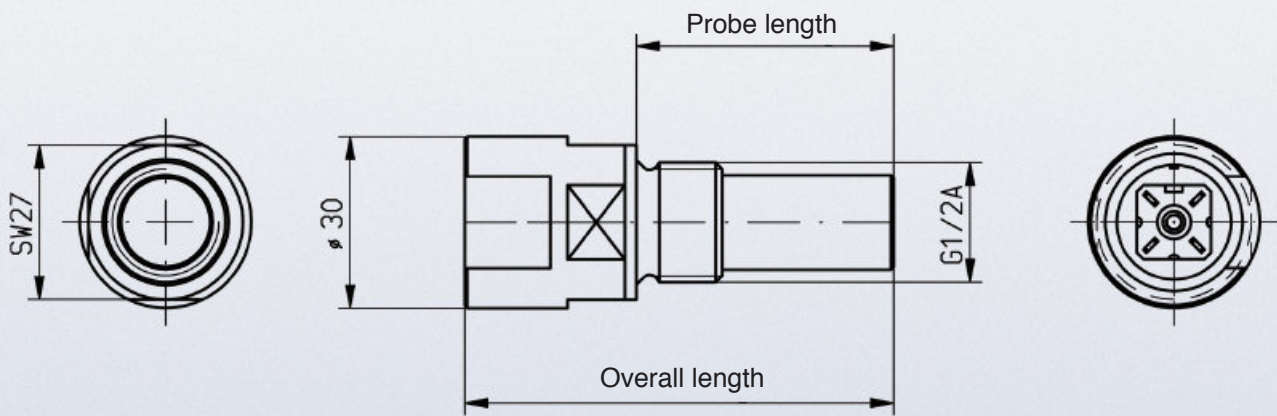
- Rugged and maintenance-free design
- Can be supplied with a probe length of 45 mm as standard
- Switching temperature: 50 °C up to 110 °C
- Continuous temperature measurement optional
- Plug-type connection
- Resistant to aggressive media
- Type of protection: IP 54 according to EN 60529/IEC 529
- Ex-approval: I M2 EEx ia I intrinsically safe according to Directive 94/9/EC (ATEX)



**Monitoring the temperature
of the lubricating oil in a pump unit**



iTA630



➤ Further electrical options on request.



iTA630

FUNCTION AND DESIGN

The switch is designed for monitoring temperatures in housings or fluid media.

Up to two thermal contacts with fixed switching point, optionally with NAMUR option, or up to two PT100 elements can be installed into the probe tube as monitoring elements. These elements are embedded in cast resin in the lower part of the probe tube. This arrangement ensures adequate safety with respect to explosion protection and mechanical damage.

The temperature switch is available with a probe tube length of 45 mm as standard. If other lengths are required an inquiry should be sent.

Application

- As it is provided with a threaded connector the switch is ideally suited for installation into housing walls, e.g. for monitoring gearbox temperatures.





iTA630

TECHNICAL DATA

Temperature contact	2 normally open or closed contacts max., optionally NAMUR
Switching temperature	50 °C to 110 °C
Tolerance	± 5K
Hysteresis	30 K ± 15 K
Continuous temperature measurement	2 PT100 elements max.
Probe tube length	45 mm, other lengths on request
Tube diameter	17 mm
Thread	G 1/2 A
Type of connection	plug-type
Type of protection	IP 54 according to EN 60529/IEC 529
Ex-approval	I M2 EEx ia I acc. to Directive 94/9/EC (ATEX)
Certificate number	BVS 03 ATEX E404

TYPE CODE AND ORDERING INFORMATION

* T A 630 S ** *** - ** *** L	Probe tube length 45 mm oder 90 mm
	Response temperature °C / optionally PT 100
	Switching contact: 10 ► NO 15 ► NO NAMUR
	20 ► NC 25 ► NC NAMUR
	Response temperature °C / optionally PT 100
	Switching contact: 10 ► NO 15 ► NO NAMUR
	20 ► NC 25 ► NC NAMUR
	Type of connection: terminal
	Series
	Design acc. to ATEX
	Temperature switch
	i ► intrinsically safe
	w ► non-explosionproofed version

TYPICAL EXAMPLE

iTA630S25040-25070L=45mm	■ Intrinsically safe temperature switch acc. to ATEX	■ 2. Switching contact: NO with response temperature 70°C
	■ Connection via connector	■ Probe tube length 45mm
	■ 1. Switching contact: NC with response temperature 40°C	

Subject to technical alterations · Version 08/12